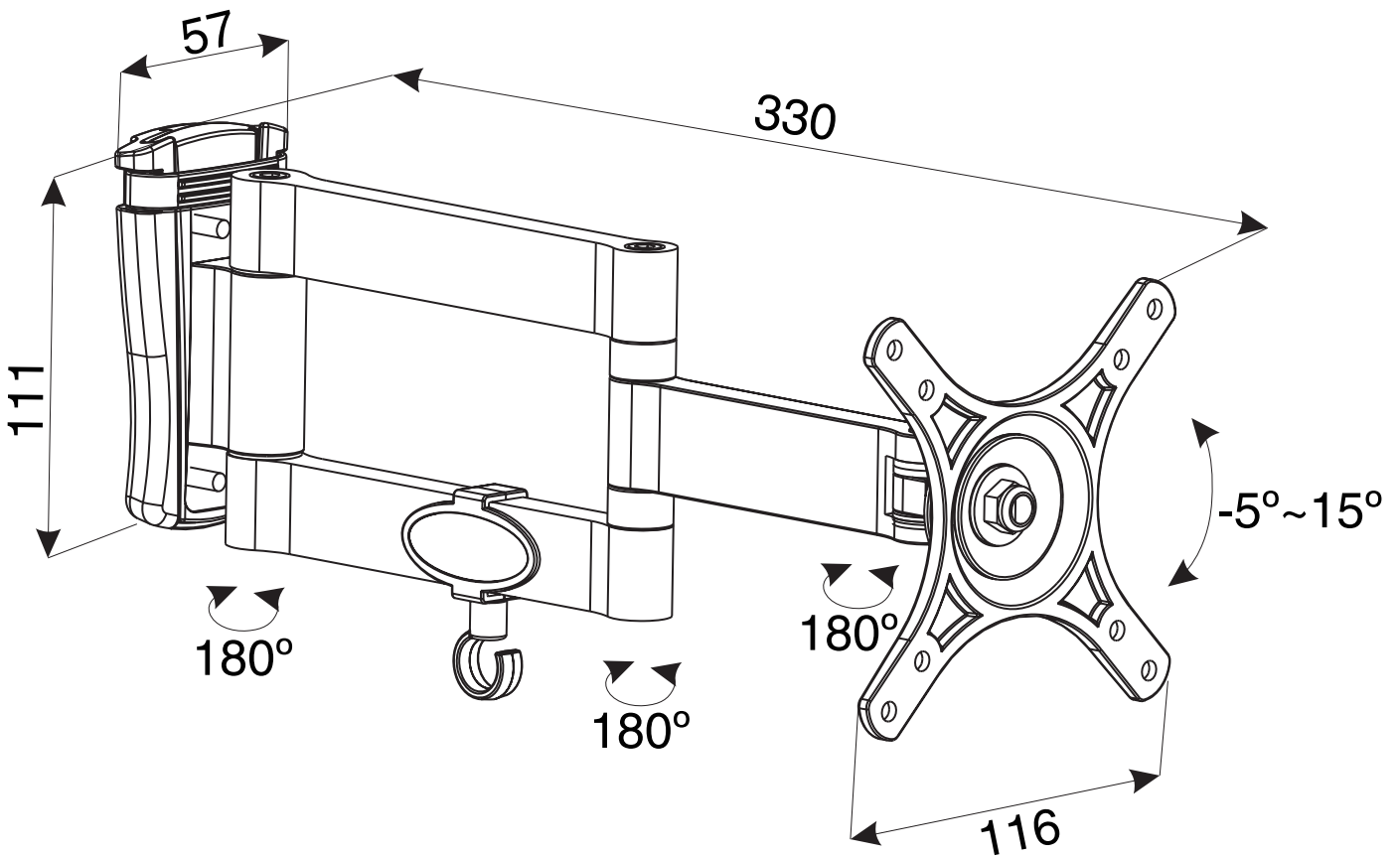


## Specification Sheet

Revision Date: 23/04/10

Manufacturers please note, we recommend that a sample is obtained to confirm suitability. Specifications subject to change without notice. E&OE. © Altronic Distributors Pty. Ltd. ABN 84 177 396 871

Altronics Part Number	Description
H 8181A	Extendible LCD Wall Bracket



Measurements in mm.

- Suits LCD sizes 10"-24" (25cm-61cm).
- Max weight 15kg.
- Suits screen mounting sizes up to 100x100mm.
- Includes optional security screws.